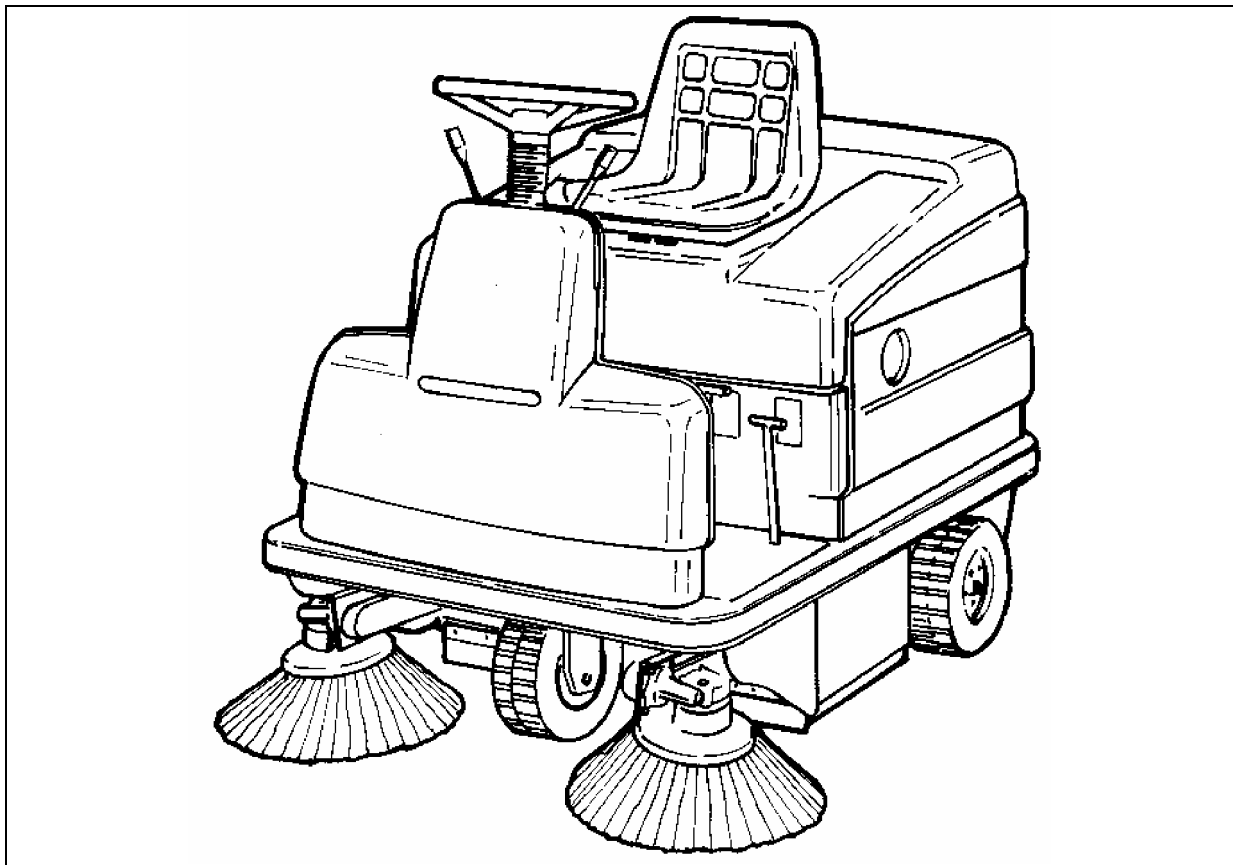


# ***Minuteman***<sup>®</sup> **PowerBoss**<sup>®</sup>

## ***PROWLER***



# **Parts Manual** **MODEL RS 50**



***Minuteman*** PowerBoss<sup>®</sup>

*P.O. Box 1227 175 Anderson Street  
Aberdeen, NC 28315-1227 USA  
(910) 944 - 2105 FAX: (910) 944-7409*

**LISTA RICAMBI CONSIGLIATI PER MOTORE BRIGGS & S. 133232-7 5 HP I/C**  
**RECOMMENDED SPARE PARTS LIST FOR MOTOR BRIGGS & S. 133232-7 5 HP I/C**  
**ERSATZTEILE DES MOTORS BRIGGS & S. 133232-7 5 HP I/C**  
**LISTE PIÈCES DE RECHANGE CONSEILLÉES MOTEUR BRIGGS & S. 133232-7 5 HP I/C**  
**LISTA PIEZAS DE RECAMBIO ACONSEJADAS MOTOR BRIGGS & S. 133232-7 5 HP I/C**

<b>Codice N° Part. No. Code Nr.</b>	<b>Quantità Quantity Anzahl</b>	<b>Descrizione</b>	<b>Description</b>	<b>Bezeichnung</b>	<b>Description</b>	<b>Descripcion</b>
590001	1	Filtro aria	Air filter	Luftfilter	Filtre à air en papier	Filtro aire en papel
590002	1	Prefiltro aria	Air prefilter	Luftprefilter	Pre-filtre air	Pre-filtro aire
590005	1	Candela IPLM	Spark plug IPLM	Zündkerze IPLM	Bougie IPLM	Bujía IPLM
590062	1	Bobina	Spool	Spule	Bobine	Bobina
590047	1	Guarnizioni testa	Head washer	Kopf Dichtung	Garniture de la tête	Guarnición de la cabeza
590063	1	Guarnizione testa	Head washer	Kopf Dichtung	Garniture de la tête	Guarnición de la cabeza
590048	1	Guarnizione coperchio valvole	Valves lid washer	Dichtung des Ventildeckel	Garniture du couvercle de la soupape	Guarnición de la tapa de la válvula
590064	1	Set guarnizioni	Washers kit	Dichtungen Satz	Jeu garnitures	Juego guarniciones
590065	1	Serie segmenti std.	Standard segment series	Segmentreihe	Serie de segments standard	Serie de segmentos estandar
590051	1	Maniglia avviamento	Start knob	Anlassengriff	Starter	Estarter
590052	1	Fune avviamento	Start rope	Anlassenseil	Cable demarrage	Hilo arranque
590066	1	Valvola di scarico	Exhaust valve	Dichtung Abfluss	Soupape decharge	Valvula descarga
590067	1	Valvola di aspirazione	Vacuum valve	Saugungventil	Soupape aspiration	Valvula aspiración
590056	1	Membrana carburatore	Carburettor membrane	Vergasermembrane	Membrane carburateur	Membrana carburador
590055	1	Tappo serbatoio	Tank cork	Tank Pröpfen	Bouchon reservoir	Tapon tanque
590068	1	Kit pignone	Pinion kit	Ritzel Satz	Kit pinon	Kit piñon
590069	1	Ingranaggio pignone	Pinion gear	Ritzel Getriebe	Engranage pinon	Engranaje piñon
590070	1	Motorino avviamento	Starting motor	Starmotor	Moteur de demarrage	Motor de arranque
590071	1	Alternatore	Alternator	Generator	Alternateur	Alternador
590072	1	Molla autoacceleratore	Accelerator spring	Beschleunigung Feder	Ressort accélérateur	Resorte acelerador

**LISTA RICAMBI CONSIGLIATI PER MOTORE BRIGGS & S. 123437-0119-E1 6.5 HP INTEK PRO 206**  
**RECOMMENDED SPARE PARTS LIST FOR MOTOR BRIGGS & S. 123437-0119-E1 6.5 HP INTEK PRO 206**  
**ERSATZTEILE DES MOTORS BRIGGS & S. 123437-0119-E1 6.5 HP INTEK PRO 206**  
**LISTE PIECES DE RECHANGE CONSEILLEES MOTEUR BRIGGS & S. INTEK PRO 206**  
**LISTA PIEZAS DE RECAMBIO ACONSEJADAS MOTOR BRIGGS & S. 123437-0119-E1 6.5 HP INTEK PRO 206**

<b>Codice N° Part. No. Code Nr.</b>	<b>Quantità Quantity Anzahl</b>	<b>Descrizione</b>	<b>Description</b>	<b>Bezeichnung</b>	<b>Description</b>	<b>Descripcion</b>
590043	1	Candela RC 12 7C	Spark plug RC 12 7C	Zündkerze RC 12 7C	Bougie RC 12 7C	Bujía RC 12 7C
590069	1	Ingranaggio pignone	Pinion gear	Ritzel Getriebe	Engranage pinon	Engranaje piñon
590096	1	Filtro aria	Air filter	Lufffilter	Filtre à air en papier	Filtro aire en papel
590097	1	Prefiltro aria	Air prefilter	Luftprefilter	Pre-filtre air	Pre-filtro aire
590098	1	Filtro benzina	Fuel filter	Benzinfilter	Filtre à essence	Filtro gasolina
590099	1	Bobina	Spool	Spule	Bobine	Bobina
590100	1	Kit guarnizioni carburatore	Carburettor washers kit	Vergaser Dichtungensatz	Jeu garnitures carburateur	Kit guarniciones carburador
590101	1	Kit guarnizioni valvole	Valve washer kit	Dichtungsventil Satz	Jeu garnitures soupapes	Kit guarniciones valvulas
590102	1	Kit guarnizioni completa	Washer kit	Dichtung Satz	Jeu garnitures complet	Kit guarniciones completo
590103	1	Serie segmenti STD	Standard segment series	Segmentreihe	Serie de segments standard	Serie de segmentos estandar
590104	1	Valvola di scarico	Exhaust valve	Abfluss Ventil	Soupape decharge	Valvula descarga
590105	1	Valvola di aspirazione	Vacuum valve	Saugungventil	Soupape aspiration	Valvula aspiración
590106	1	Tappo serbatoio	Tank cork	Tank Pröpfen	Bouchon reservoir	Tapon tanque
590107	1	Motorino di avviamento	Starting motor	Starmotor	Moteur de demarrage	Motor de arranque
590108	1	Kit pignone	Pinion kit	Ritzel Satz	Kit pinon	Kit piñon
590109	1	Alternatore 3 Amp.	Alternator	Generator	Alternateur	Alternador

# RS 50

## LISTE RICAMBI CONSIGLIATI

## RECOMMENDED SPARE PARTS LIST - EMPFOHLENE ERSATZTEILE LISTE

## LISTE DE PIECES RECOMMANDÉES - LISTA DE PIEZAS ACONSEJADAS

### LISTA A (MATERIALI DI CONSUMO)

### LIST A (WEARABLE MATERIAL) - LISTE A (ABNUTZUNGSMATERIAL)

### LISTE A (MATERIELLES DE CONSOMMATION) - LISTA A (MATERIALES DE CONSUMO)

Codice N° Part. No. Code Nr.	Quantità Quantity Anzahl			Descrizione	Description	Bezeichnung	Description	Descripcion
	BS	H	E					
350002	1	1	1	Gomma parapolvere	Dust rubber	Dichtstreifen	Gomme du flap	Goma flap
360003	5	5	5	Guarnizione filtro	Washer	Dichtung	Guarniture	Guarnicciòn
520005	5	5	5	Filtro polvere	Filter	Filter	Filtre	Filtro
520026	1	1	1	Spazzola laterale	Side brush	Seitenbesen	Brosse lateral	Cepillo lateral
520027	1	1	1	Spazzola centrale	Main brush	Hauptbuerste	Brosse centrale	Cepillo central

### LISTA B (MATERIALI PER INTERVENTI ORDINARI)

### LIST B (MATERIAL FOR ORDINARY MAINTENANCE)

### LISTE B (MATERIAL FÜR ORDENTLICHE WARTUNG)

### LISTE B (MATERIELLES POUR OPERATIONS ORDINAIRES)

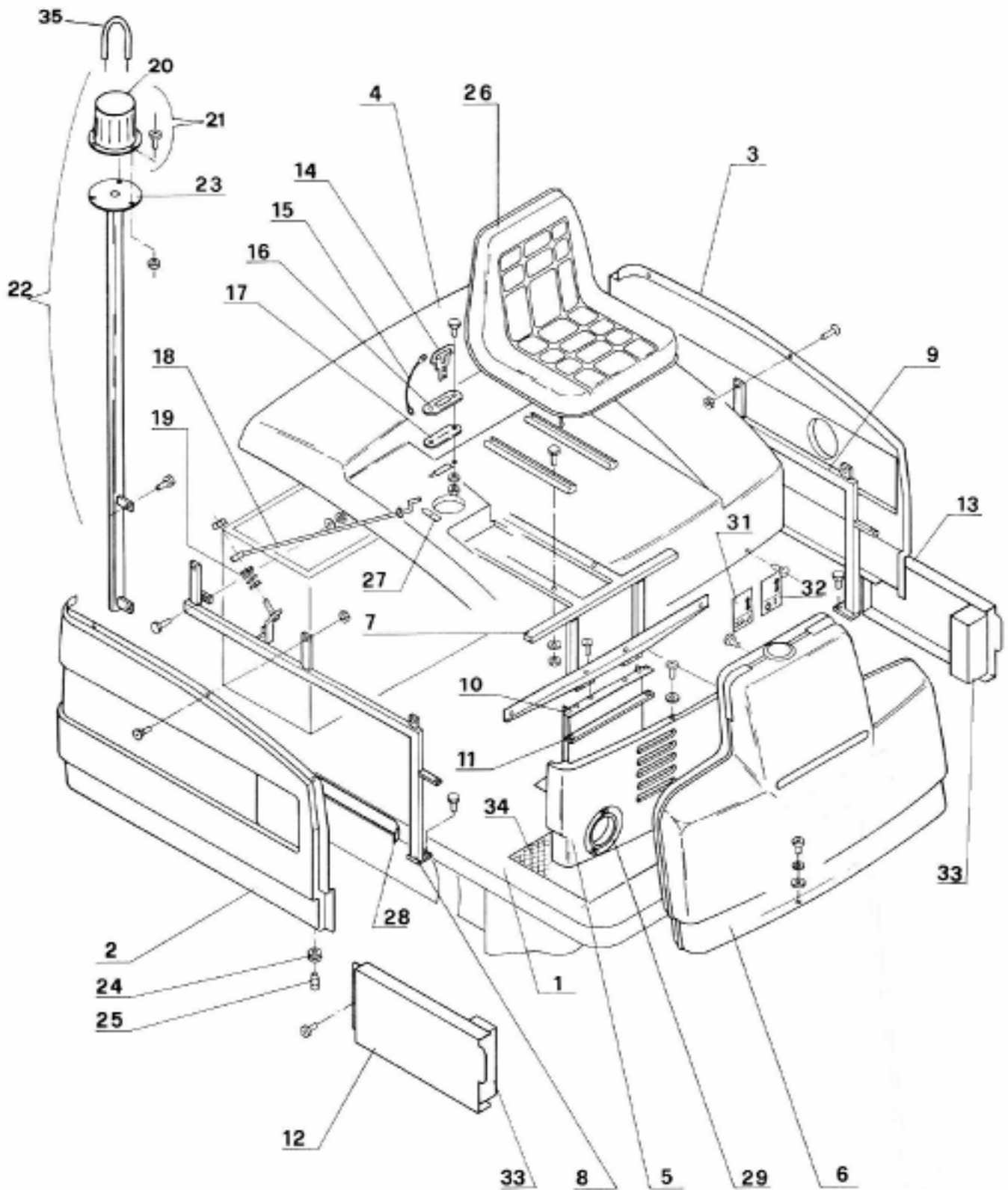
### LISTA B (MATERIALES PARA OPERACIONES ORDINARIAS)

Codice N° Part. No. Code Nr.	Quantità Quantity Anzahl			Descrizione	Description	Bezeichnung	Description	Descripcion
	BS	H	E					
130093	1	1	1	Albero	Shaft	Welle	Arbre	Arbol
250024	1	1	1	Pignone	Pinion	Ritzel	Pignon	Corona
260007	1	1	1	Supporto	Support	Halter	Support	Soporte
260008	1	1	1	Puleggia	Pulley	Scheibe	Poulie	Polea
320003	1	1	1	Flangia	Flange	Halterung	Support	Soporte
330029	1	1	1	Copripedale	Pedal-cover	Pedaldeckel	Couvre pédale	Cubri-pedal
330037	1	1	1	Cuffia	Dust-casing	Schutkappe	Protection poussiere	Proteccion polvo
360004	1	1	1	Guarnizione	Washer	Dichtung	Guarniture	Guarnicciòn
360059	1	1	1	Guarnizione	Washer	Dichtung	Guarniture	Guarnicciòn
410004	2	2	2	Cuscinetto	Bearing	Lager	Roulement	Cojinete
410005	5	5	5	Cuscinetto	Bearing	Lager	Roulement	Cojinete
410006	2	2	2	Cuscinetto	Bearing	Lager	Roulement	Cojinete
410009	1	1	1	Cuscinetto	Bearing	Lager	Roulement	Cojinete
410013	1	1	1	Cuscinetto	Bearing	Lager	Roulement	Cojinete
410019	2	2	2	Cuscinetto	Bearing	Lager	Roulement	Cojinete
430011	1	1	1	Cinghia	Belt	Riemen	Courroie	Correa
430026	1	1	1	Cinghia	Belt	Riemen	Courroie	Correa
430027	1	1	1	Cinghia	Belt	Riemen	Courroie	Correa
430028	1	-	-	Cinghia	Belt	Riemen	Courroie	Correa
430029	1	1	2	Cinghia	Belt	Riemen	Courroie	Correa
440013	2	2	2	Ruota	Wheel	Rad	Roue	Rueda
440019	2	2	2	Anello in gomma	Rubber ring	Gummiring	Bague en gomme	Anillo goma
450002	1	1	1	Ruota completa	Front wheel unit	Vornerad, Gruppe	Roue complète	Rueda completa
460010	1	1	1	Giunto	Joint	Kettenverbindung	Joint	Articulacion
460016	1	1	1	Catena	Chain	Kette	Chaîne	Cadena
490006	R	R	R	Kit gomme parapolvere	Rubber flaps set	Dichtstreifen-set	Set gommes des flap	Grupo gomas flap-polvo
490044	1	1	1	Regolatore	Regulator	Regulator	Regulateur	Regulador
490065	1	1	1	Interruttore completo di chiave	Switch with key	Shalter mit schlüssel	Interrupter avec clef	Interruptor con clavo
530009	1	1	1	Riduttore DX	Reducer DX	Schneckengetr. DX	Reducteur DX	Reductor DX
530011	1	1	1	Riduttore SX	Reducer SX	Schneckengetr. SX	Reducteur SX	Reductor SX
560002	1	-	-	Manettino	Handle	Handhebel	Manette	Manopola
560012	1	1	1	Blocco freno	Parking brake lock	Feststellbremse Blockierungshebel	Bloc du frein	Bloc de freno
560014	1	1	1	Leva spazzola lat. Sx	Lh side brush lever	Handhebel, Links	Levier brosse laterale gauche	Palanca cepillo lateral izquierdo

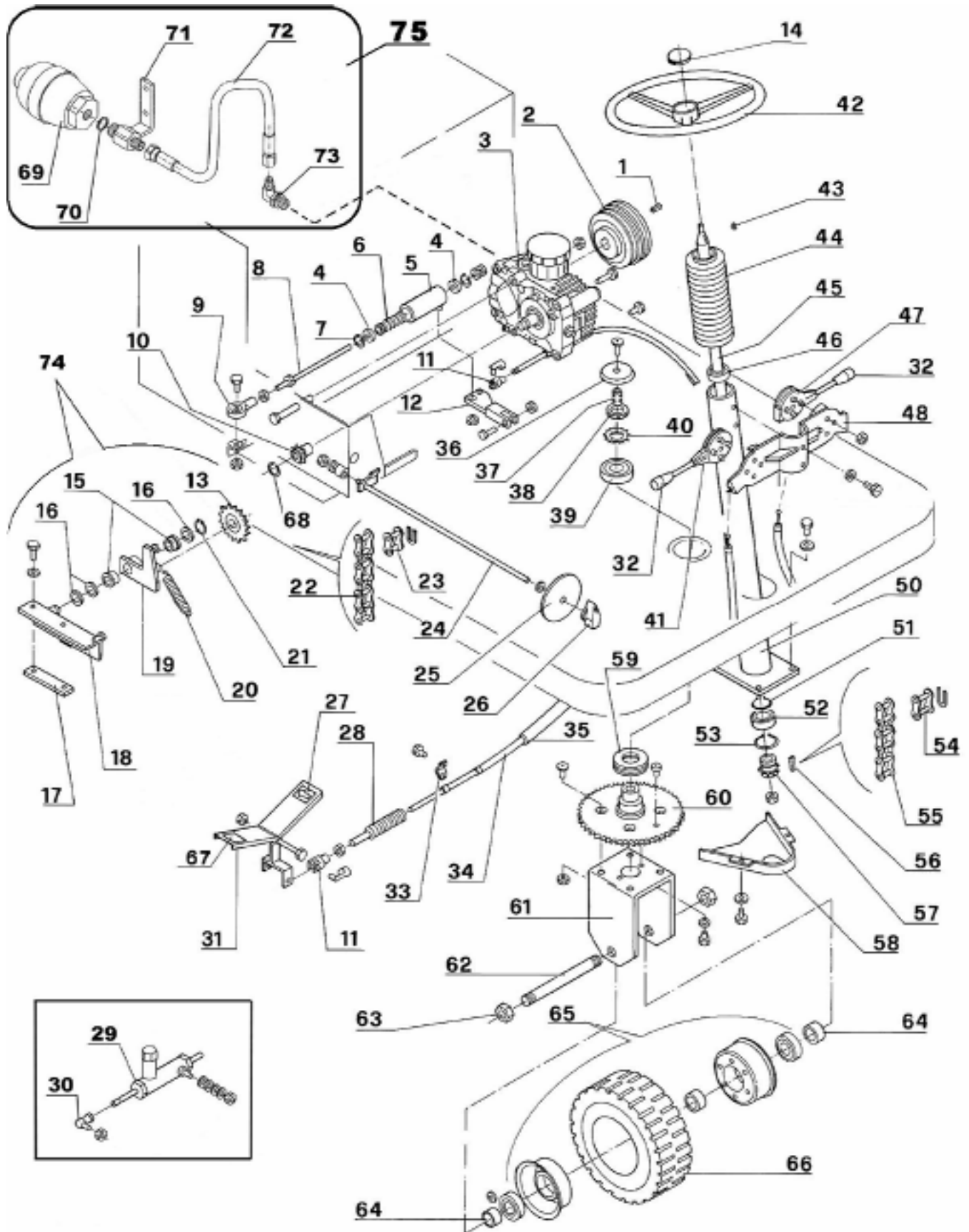
Codice N° Part. No. Code Nr.	Quantità Quantity Anzahl			Descrizione	Description	Bezeichnung	Description	Descripcion
	BS	H	E					
560015	1	1	1	Leva spazzola lat. Dx	Rh side brush lever	Handhebel, Rechts	Levier brosse laterale droite	Palanca cepillo lateral derecho
560016	-	1	-	Manettino	Handle	Handhebel	Manette	Manopola
560017	-	1	-	Manettino	Handle	Handhebel	Manette	Manopola
560031	1	-	-	Pomello start	Start knob	Start knopf	Pommeau start	Tirador start
560040	1	-	-	Pomello start	Start knob	Start knopf	Pommeau start	Tirador start
560041	1	-	-	Manettino	Handle	Handhebel	Manette	Manopola
570030	1	1	1	Filo	Thread	Draht	Fil	Hilo
570034	1	1	1	Guaina	Sheath	Umhuellung	Gaine	Vaina
570035	1	1	1	Guaina	Sheath	Umhuellung	Gaine	Vaina
570036	1	1	1	Guaina	Sheath	Umhuellung	Gaine	Vaina
570037	1	1	1	Guaina	Sheath	Umhuellung	Gaine	Vaina
570038	1	1	1	Filo	Thread	Draht	Fil	Hilo
580002	1	1	1	Chiusura a leva	Lever closing	Exenterverschluss	Levier fermeture	Palanca cierre
580003	1	1	1	Riscontro chiusura	Counterpart lever closing	Verschlussshaken	Contre-fermeture levier	Contro-cierre palanca
580029	2	2	2	Forcella	Fork	Gabelkopf	Fourche	Horquilla
580030	1	1	1	Cavo trasmissione	Transmission cable	Kraftuebertragung	Cable de transmission	Cable de transmission
580043	2	2	2	Arresto ruota	Stop wheel	Stop Rad	Arret roue	Arresto rueda
580055	2	2	2	Manopola	Plate handle	Handgriff	Poignee plate	Manopla
580056	1	1	1	Forcella	Fork	Gabelkopf	Fourche	Horquilla
580057	1	1	1	Testa a snodo	Articulation head	Gelenk Kopf	Tete à rotule	Cabeza a articulacion
640012	2	1	2	Fusibile 16A	Fuse	Sicherung	Fusible	Fusible
640037	-	-	1	Connettore fisso	Steel connector	Fest Stecker	Connecteur fixe	Connector fijo
640038	-	-	1	Connettore mobile	Mobile connector	Beweglicher Stecker	Connecteur mobile	Connector movil
640040	-	-	1	Fusibile 100 A	Fuse 100 A	Sicherung 100 A	Fusible 100 A	Fusible 100 A
640075	2	1	2	Porta fusibile	Fuse-box	Sicherungshalter	Porte-fusible	Lleva-fusible
640096	-	-	4	Carboncino per motore 610015	Carbon for motor 610015	Kohle fuer motor 610015	Brosse pour moteur 610015	Cepino por motor electrico 610015
650021	-	-	1	Segnalatore di batteria scarica	Battery charge indicator	Entlademelder	Signaleur de batterie déchargée	Vigia de bater'a descargada
650033	1	-	-	Regolatore tensione	Regulator	Regulator	Regulateur	Regulador
660005	2	2	2	Pulsante	Push button	Drucktaste	Bouton	Boton
660008	1	-	-	Teleruttore	Electromagnetic switch	Unterbrecher	Interrupteur	Teleruptor
660010	-	-	1	Teleruttore	Electromagnetic switch	Unterbrecher	Interrupteur	Teleruptor
660011	-	1	-	Microteleruttore	Microswitch	Relais	Relais	Teleruptor
660012	1	1	-	Microteleruttore	Microswitch	Relais	Relais	Teleruptor
660018	1	1	1	Coppia chiavi	Couple of keys	Paar Von Schluesseln	Pair de clefs	Par de claves
660020	1	1	1	Commutatore senza chiave	Switch without key	Schalter Ohne Schluessel	Commutateur sans clef	Commutador sin clave
660028	1	1	1	Microinterruttore	Microswitch	Relais	Relais	Teleruptor
660043	1	-	-	Teleruttore	Electromagnetic switch	Unterbrecher	Interrupteur	Teleruptor
670027	1	1	1	Lampeggiante multitensione	Multi voltage flashing light	Mehrspannung warnlight	Girophare multivoltage	Faro giratorio multivoltaje
740021	1	1	1	Anello seeger	Ring	Sicherungsring	Bague	Anillo
790016	1	1	1	Ingranaggio ridutt.dx	Reduction gear R.	Reductions R.	Reducteur D.	Reduccion D.
790018	1	1	1	Ingranaggio ridutt.sx	Reduction gear R.	Reductions R.	Reducteur D.	Reduccion D.
900204	1	1	1	Tendicatena completo	Chain tensioner	Kettespanner	Tende-courroie	Tendecorrea

**LISTA C (MATERIALI PER INTERVENTI STRAORDINARI)**  
**LIST C (MATERIAL FOR EXTRAORDINARY MAINTENANCE)**  
**LISTE C (MATERIAL FÜR AUßERORDENTLICHE WARTUNG)**  
**LISTE C (MATERIELLES POUR OPERATIONS EXTRAORDINAIRES)**  
**LISTA C (MATERIALES PARA OPERACIONES EXTRAORDINARIAS)**

Codice N° Part. No. Code Nr.	Quantità Quantity Anzahl			Descrizione	Description	Bezeichnung	Description	Descripcion
	BS	H	E					
610015	-	-	1	Motore elettrico	Electric engine	Elektromotor	Moteur electric	Motor electrico



Ref. N°	Part. N°	Description	Briggs & Stratton Qty	Electric Qty
1	1000338	Chassis	1	1
2	1000872	Hood Panel RH	-	1
2	1000871	Hood Panel RH	1	-
3	1000874	Hood Panel LH	-	1
3	1000873	Hood Panel LH	1	-
4	1000645	Upper Hood	1	1
5	1000646	Front Hood Panel	1	1
6	1000877	Front Hood	1	1
7	1001425	Hood Support	1	1
8	1000251	RH Support	1	1
9	1000252	LH Support	1	1
10	1000250	Support Plate	1	1
11	1000089	Plate	1	1
12	1000228	RH Lower Panel	1	1
13	1000227	LH Lower Panel	1	1
14	1001391	Safety Key	1	1
15	1001010	Wire Rope	1	1
16	1000103	Plate - Safety Key	1	1
17	1000724	Spacer - Safety Key	1	1
18	1000259	Hood Rod	1	1
19	1000957	Spring	1	1
20	1001763	Flashing Light Housing	R	R
21	1001764	Multi Voltage Flashing Light	1	1
22	1001341	Flashing Light Kit	R	R
23	1000254	Supporting Rod	1	1
24	1000703	Rubber Ring	9	9
25	1000469	Lock Pin	9	9
26	1001029	Driver's Seat	1	1
27	1000884	Decal	1	1
28	1000881	Adhesive Strip	1	1
29	1000904	Adhesive Strip	1	1
31	1000885	Decal - Flap	1	1
32	1000886	Decal - Main Broom	1	1
33	1000721	Adhesive Strip	2	2
34	1000723	Carpet	1	1
35	1001170	Bulb Xenon	R	R





## DIAGRAM 2

## RS 50

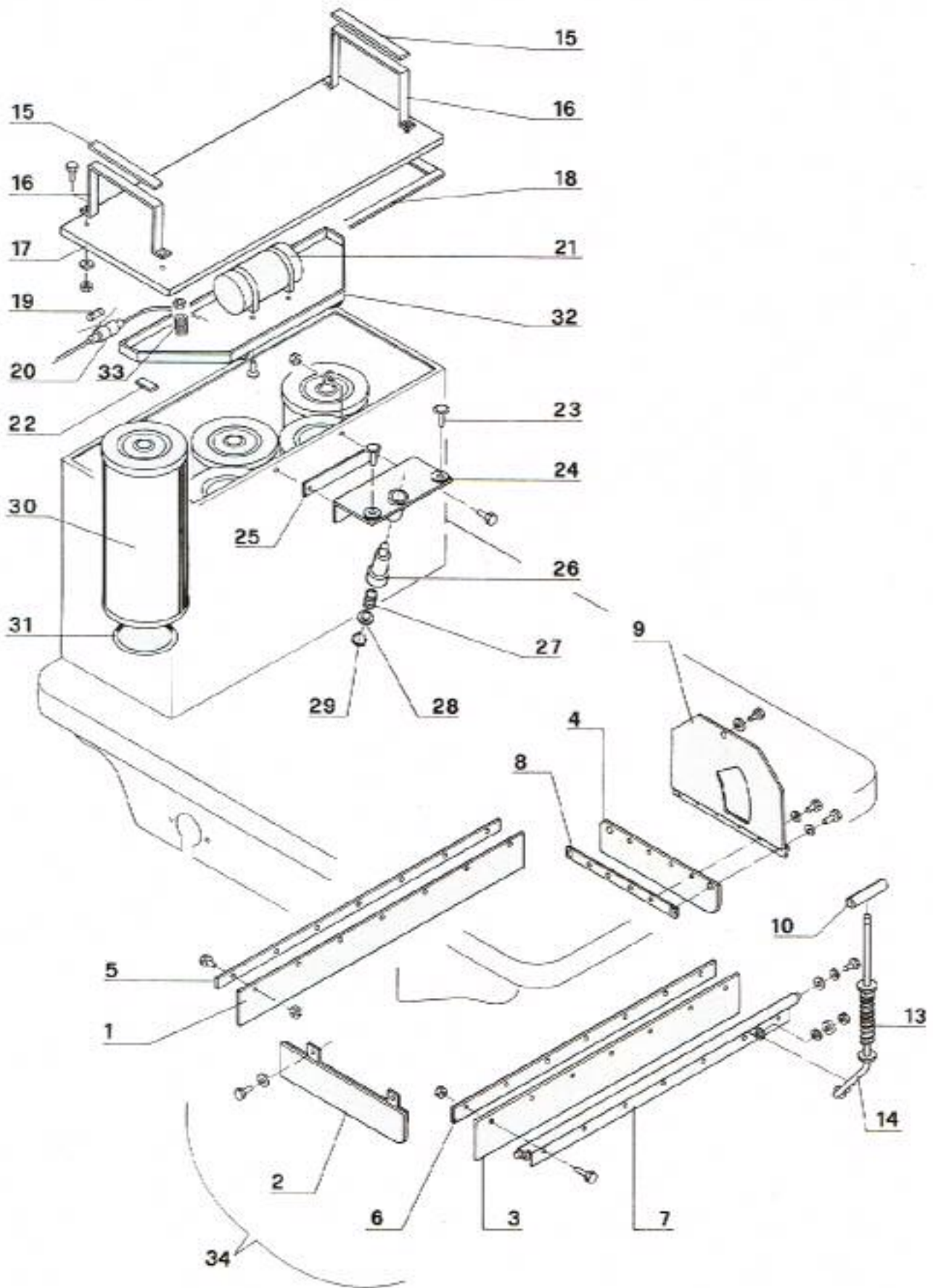
12/12/2003

Ref.N°	Part.N°	Description	Briggs & Stratton Qty	Electric Qty
1	1001231	Key	1	1
2	1000602	Pulley	1	1
3	1001241	Hydrostatic drive	1	1
4	1000466	Bush	2	2
5	1000540	Drive adjust. Control	1	1
6	1000963	Spring	1	1
7	1001215	Ring	2	2
8	1000467	Adjustment rod	1	1
9	1001054	Articulation head	1	1
10	1000560	Pinion	1	1
11	1001036	Fork	2	2
12	1000229	Lever	1	1
13	1000862	Chain tensioner	1	1
14	1000702	Lid for steering wheel	1	1
15	1001056	Bush	2	2
16	1000465	Spacer	2	2
17	1000085	Plate	1	1
18	1000342	Support	1	1
19	1000341	Chain tensioner	1	1
20	1000964	Spring	1	1
21	1001202	Ring	1	1
22	1000864	Chain	1	1
23	1000860	Joint	1	1
24	1000232	Lever	1	1
25	1001196	Disc	1	1
26	1001055	Plate handle	1	1
27	1001426	Adhesive	2	2
28	1000685	Dust-casing	1	1
29	1000876	Regulator Up to serial n° Up to serial n° 503566072	1	1
30	1001030	Hinge Up to serial n° Up to serial n° 503566072	1	1
31	1000224	Pedal	1	1
32	1000680	Plate handle	1	1
33	1001038	Plate	2	2
34	1001037	Transmission cable	1	1
35	1000769	Rubber hose	1	1
36	1000608	Cover	1	1
37	1001057	Plug	1	1
38	1000792	Steel ring	1	1
39	1000790	Bearing	1	1
40	1000791	Washer	1	1
41	1000981	Rh side brush lever	1	1
42	1000701	Steering wheel	1	1
43	1001225	Key	1	1
44	1000704	Protection for steering column	1	1
45	1000522	Shaft	1	1
46	1000800	Bearing	1	1
47	1000980	Lh side brush lever	1	1
48	1000094	Lever support	1	1
50	1000539	Steering column	1	1

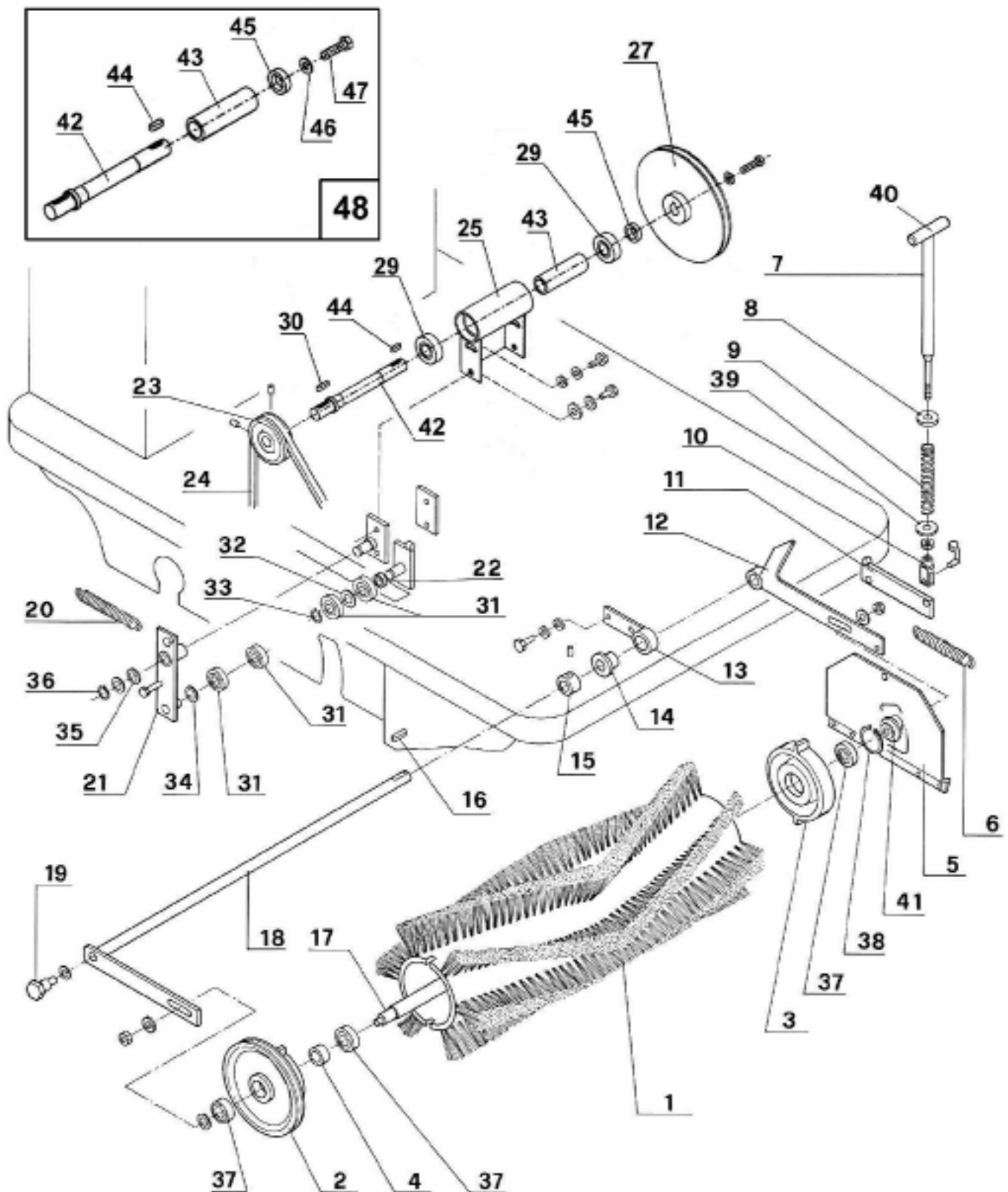
**DIAGRAM 2****RS 50**


12/12/2003

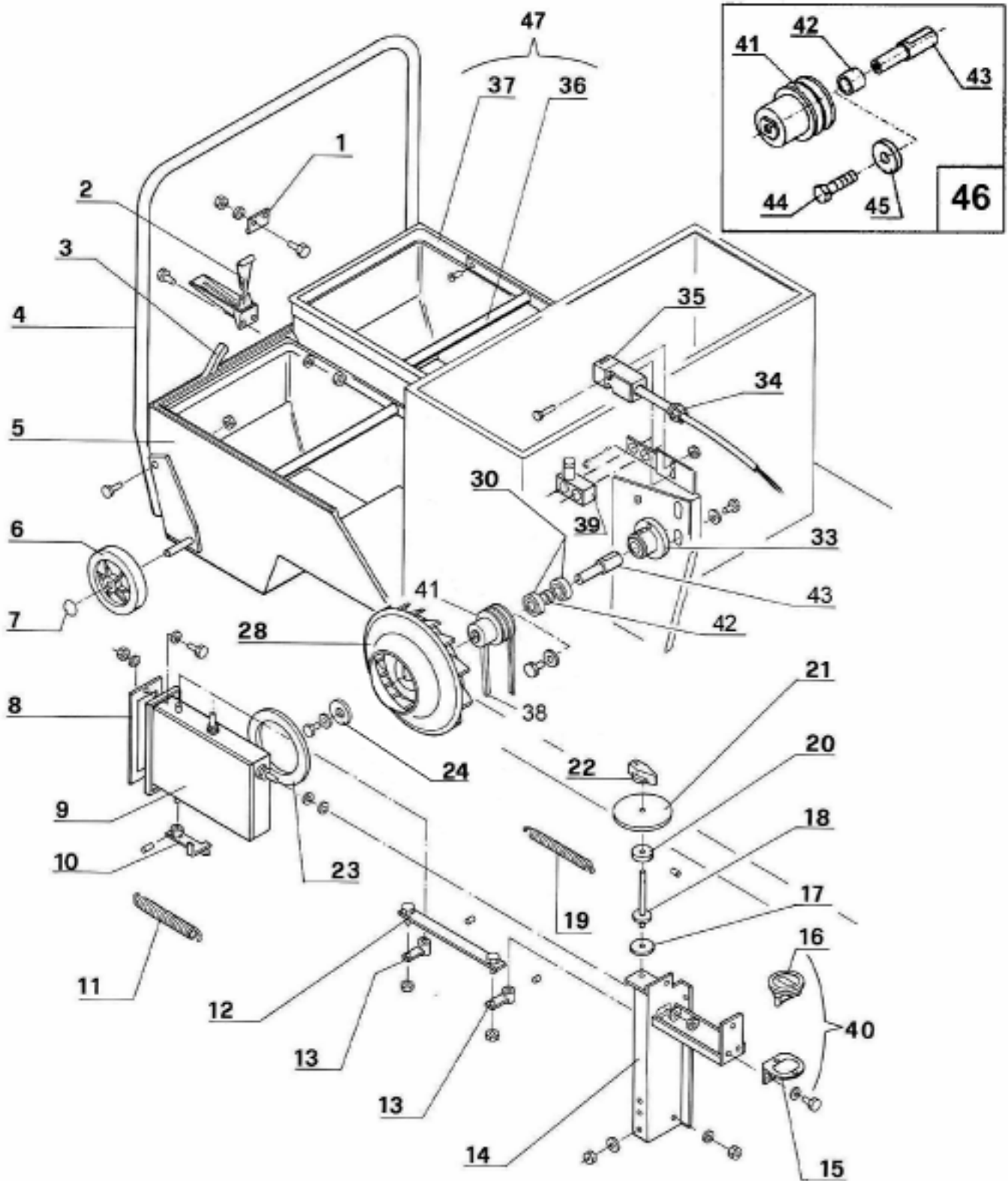
<b>Ref.N°</b>	<b>Part.N°</b>	<b>Description</b>	<b>Briggs &amp; Stratton Qty</b>	<b>Electric Qty</b>
51	1001209	Ring	1	1
52	1000789	Bearing	1	1
53	1001217	Ring	1	1
54	1000857	Joint	1	1
55	1000856	Chain	1	1
56	1001763	Key	1	1
57	1000565	Pinion	1	1
58	1000097	Protection	1	1
59	1000794	Bearing	1	1
60	1000559	Wheel hub and crown	1	1
61	1000225	Fork	1	1
62	1000462	Pivot	1	1
63	1001185	Nut	2	2
64	1000408	Spacer	2	2
65	1000850	Front wheel unit	1	1
66	1001343	Rubber ring	R	R
67	1001427	Anti - slip profile 20x48	4	4
68	1001550	Ring	1	1
69	1001578	Accumulator From serial n°503567072	1	1
70	1001584	Copper washer From serial n°503567072	1	1
71	1001602	Support From serial n°503567072	1	1
72	1001608	Hose From serial n°503567072	1	1
73	1001614	Nipples From serial n°503567072	1	1
74	1001619	Chain tensioner	1	1
75	1001793	Hydraulic accumulator replacement kit Up to serial n° 503566072	R	R



Ref. N°	Part. N°	Description	Briggs & Stratton Qty	Electric Qty
1	1000712	Dust rubber	1	1
2	1000728	Dust rubber	1	1
3	1000726	Dust rubber	1	1
4	1000715	Dust rubber	1	1
5	1000017	Bar	1	1
6	1000091	Bar	1	1
7	1000350	Shaft	1	1
8	1000018	Bar	1	1
9	1000024	Panel	1	1
10	1000497	Plate handle	1	1
13	1000945	Spring	1	1
14	1000231	Flap-lift bar	1	1
15	1000772	Sponge	R	R
16	1000095	Handle	2	2
17	1000234	Cover	1	1
18	1000770	Washer	1	1
19	1001092	Fuse	1	1
20	1001117	Fuse-box	1	1
21	1001076	Filter shaker 12v	1	-
21	1001077	Filter shaker 24v	-	1
22	1000743	Sponge	5	5
23	1000665	Rubber plug	2	2
24	1001400	Support	1	1
25	1000117	Spacer	1	1
26	1000478	Spring piston	1	1
27	1000969	Spring	1	1
28	1000477	Washer	1	1
29	1001218	Ring	1	1
30	1000915	Filter	5	5
31	1000732	Washer	5	5
32	1001373	Plate	1	1
33	1001417	Spring	3	3
34	1000867	Rubber flaps set	R	R



Ref.N°	Part.N°	Description	Briggs & Stratton Qty	Electric Qty
1	1000922	Main brush	1	1
2	1000573	Pulley	1	1
3	1000572	Support	1	1
4	1000400	Spacer	1	1
5	1000024	Brush flange	1	1
6	1000948	Spring	1	1
7	1000538	Lever	1	1
8	1001199	Washer	1	1
9	1000962	Spring	1	1
10	1001053	Fork	1	1
11	1000226	Plate	1	1
12	1000306	Plate	1	1
13	1000288	Plate	1	1
14	1000606	Pvc bush	1	1
15	1000485	Locking bush	1	1
16	1001772	Key	1	1
17	1000399	Shaft	1	1
18	1000286	Shaft	1	1
19	1000396	Support	1	1
20	1000951	Spring	1	1
21	1000340	Belt tensioner	1	1
23	1000590	Pulley	1	1
24	1000816	Belt	1	1
25	1000344	Support	1	1
27	1000523	Pulley	1	1
29	1000800	Bearing 	2	2
30	1001205	Key	1	1
31	1000785	Bearing	2	2
32	1001768	Washer	1	1
33	1001208	Ring	1	1
34	1001768	Washer	1	1
35	1001208	Washer	2	2
36	1001202	Ring	1	1
37	1000786	Bearing	3	3
38	1001201	Ring	1	1
39	1001198	Washer	1	1
40	1000497	Handle	R	R
41	1000398	Spacer	1	1
42	1001796	Shaft	1	1
43	1001794	Spacer	1	1
44	1001772	Key	1	1
45	1001795	Spacer	1	1
46	1001798	Washer	1	1
47	1001308	Screw M10x20	1	1
48	1001797	Shaft replacement kit Up to serial n°3506	1	1

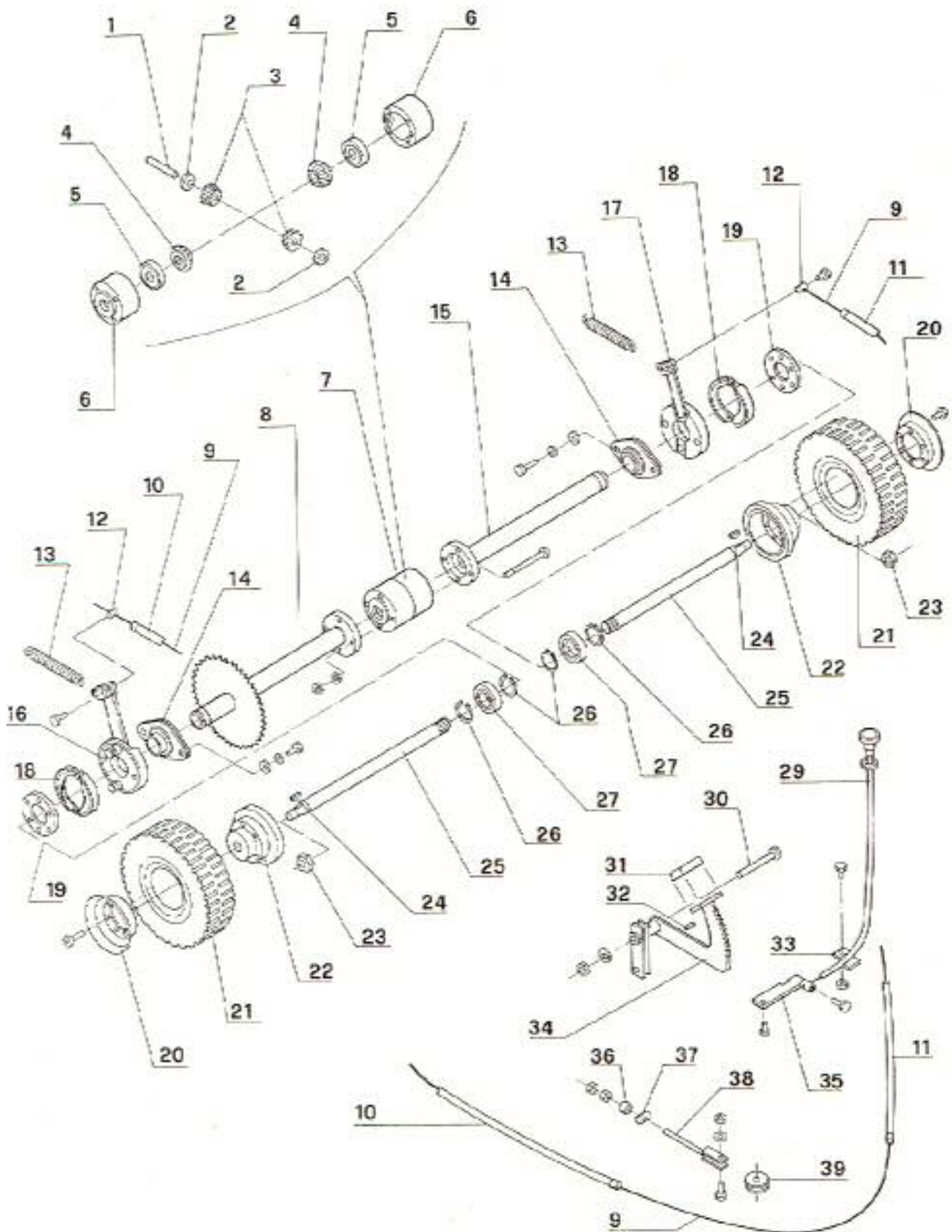


**DIAGRAM 5****RS 50**

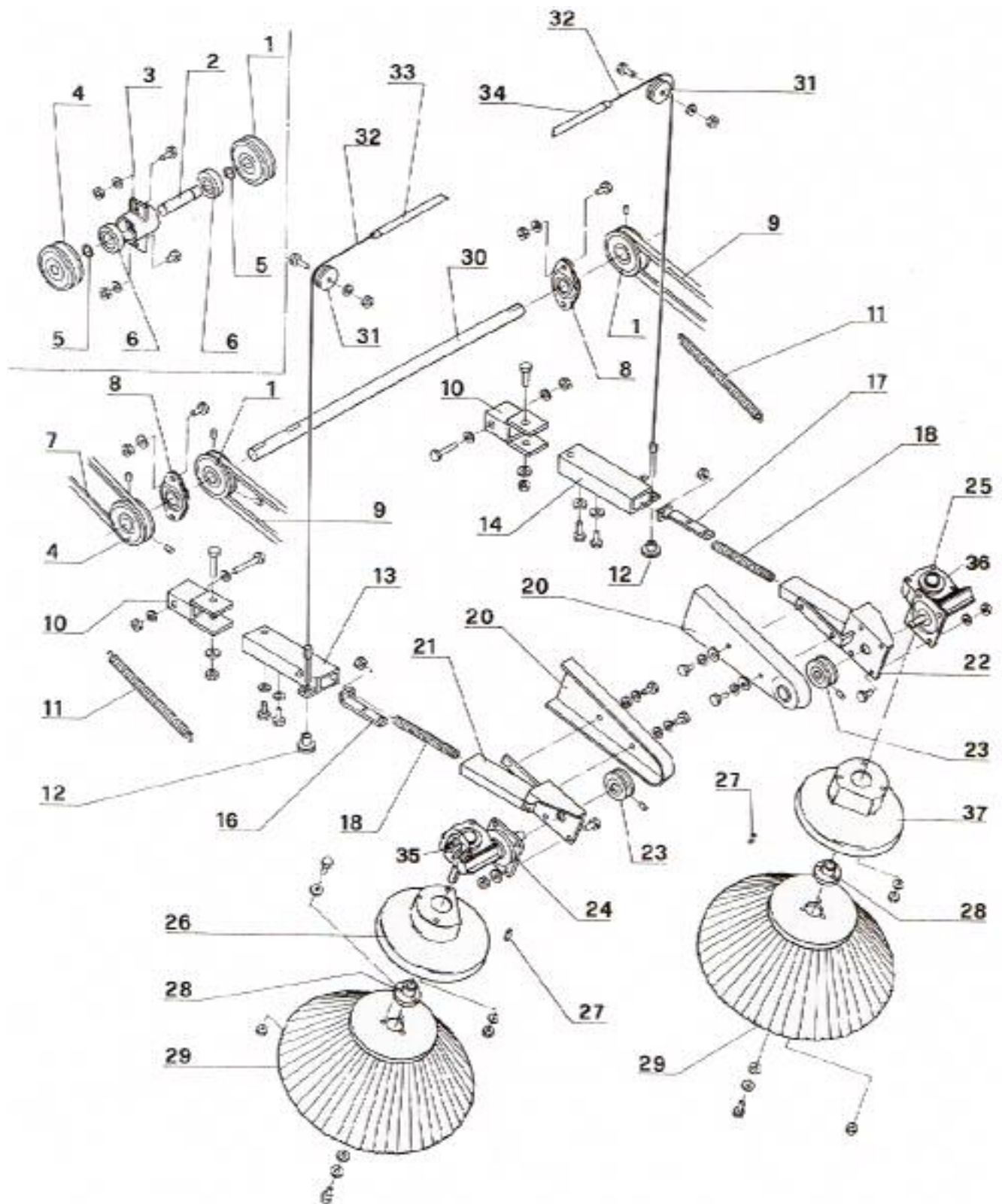
12/12/2003

<b>Ref.N°</b>	<b>Part.N°</b>	<b>Description</b>	<b>Briggs &amp; Stratton Qty</b>	<b>Electric Qty</b>
1	1001015	Counterpart lever closing	1	1
2	1001014	Lever closing	1	1
3	1000733	Washer	1	1
4	1000366	Container handle	1	1
5	1001394	Rubbish box	1	1
6	1000844	Wheel	2	2
7	1001044	Stop wheel	2	2
8	1000709	Washer	1	1
9	1000611	Housing	1	1
10	1000349	Lever	1	1
11	1000941	Spring	1	1
12	1000084	Plate	1	1
13	1001801	Lever	2	2
14	1000239	Support	1	1
15	1000118	Support	1	1
16	1001755	Hourmeter	1*	1*
17	1000607	Washer	1	1
18	1000537	Pivot	1	1
19	1000941	Spring	1	1
20	1000471	Bush	1	1
21	1001196	Washer	1	1
22	1001055	Plate handle	1	1
23	1000710	Washer	1	1
24	1000402	Cover	1	1
28	1000661	Vacuum fan	1	1
30	1000786	Bearing	2	2
33	1001803	Support	1	1
34	1001802	Fairlead for sheath	1	1
35	1001393	Safety switch	1	1
35	1001392	Switch with key	1	1
36	1000261	Container handle	2	2
37	1000643	Reduction refuse container	R	R
38	1000498	Belt	1	1
39	1001094	Microswitch	1	1
40	1001377	Hourmeter kit	1	1
41	1001804	Pulley	1	1
42	1001805	Spacer	1	1
43	1001806	Shaft	1	1
44	1001374	Screw M8x16	1	1
45	1001422	Washer	1	1
46	1001799	Pulley replacement kit Up to serial n°3327	1	1
47	1001800	Refuse box with handle	R	R

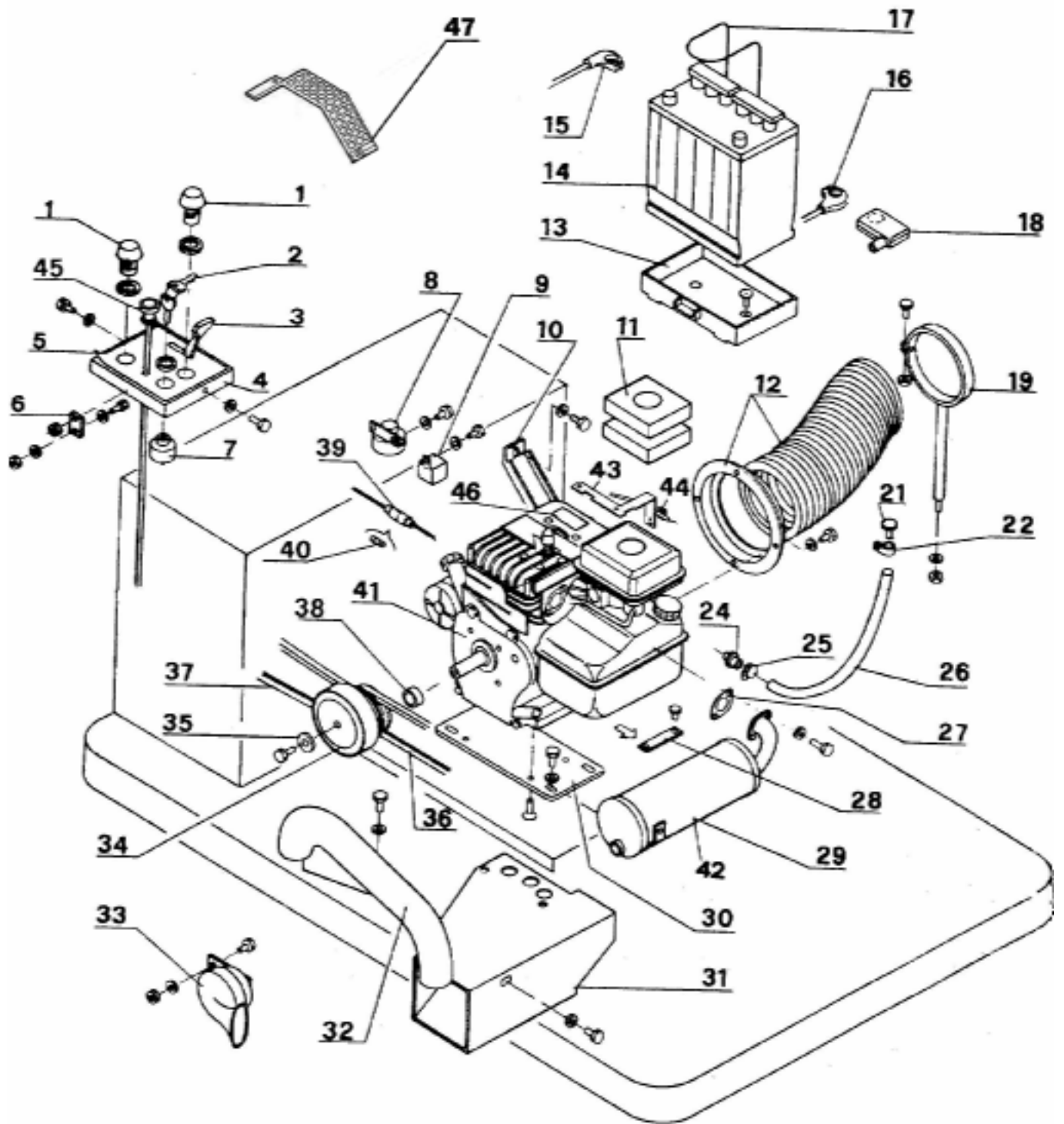




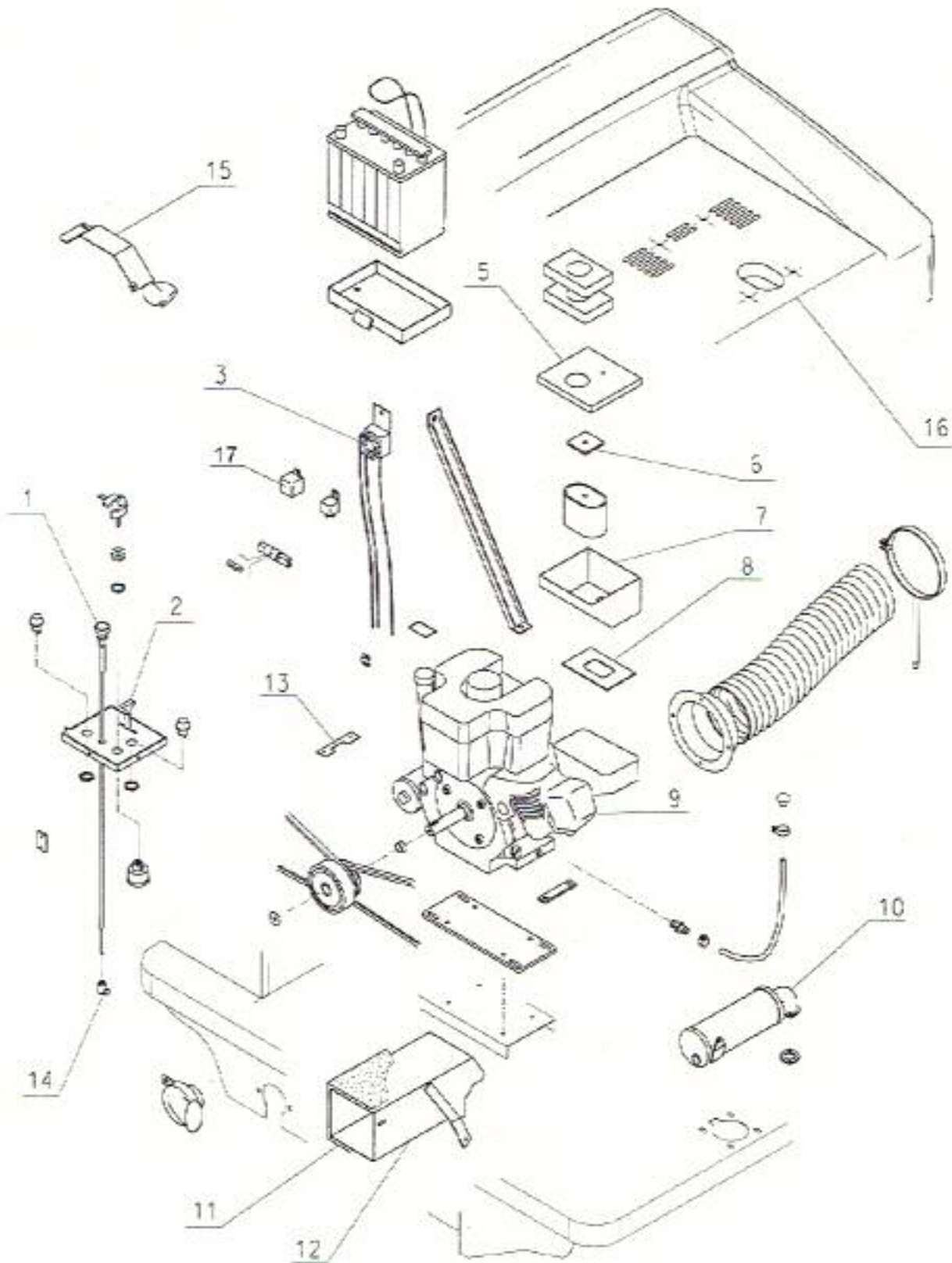
Ref. N°	Part. N°	Description	Briggs & Stratton Qty	Electric Qty
1	1000339	Pivot	1	1
2	1000461	Bushing	2	2
3	1000561	Satellite gearing	2	2
4	1000562	Planetary gearing	2	2
5	1000787	Bearing	2	2
6	1000519	Gear housing, left	2	2
7	1000875	Differential gear	1	1
8	1000563	Rh shaft	1	1
9	1001009	Thread	1	1
10	1001005	Sheath	1	1
11	1001006	Sheath	1	1
12	1001004	Clamp	2	2
13	1000966	Spring	2	2
14	1000808	Support	2	2
15	1000564	Lh shaft	1	1
16	1000348	Flange	1	1
17	1000347	Flange	1	1
18	1001052	Clamps	2	2
19	1000496	Flange	2	2
20	1000488	Wheel rim	2	2
21	1001343	Rubber ring	2	2
22	1000575	Free wheel hub	2	2
23	1001186	Nut	2	2
24	1001225	Key	2	2
25	1000520	Axle shaft	2	2
26	1001216	Ring	4	4
27	1000801	Bearing	2	2
29	1000979	Parking brake lock	1	1
30	1001178	Screw	1	1
31	1000678	Pedal-cover	1	1
32	1000765	Rubber	1	1
33	1000088	Support	1	1
34	1000346	Brake pedal	1	1
35	1000087	Pedal locking	1	1
36	1000468	Spacer	1	1
37	1000086	Cylinder	1	1
38	1000233	Cable tensioner	1	1
39	1000604	Pulley	1	1



Ref. N°	Part. N°	Description	Briggs & Stratton Qty	Electric Qty
1	1000583	Pulley	1	1
2	1000524	Shaft	1	1
3	1000345	Support	1	1
4	1000582	Pulley	1	1
5	1001204	Ring	2	2
6	1000787	Bearing	2	2
7	1000816	Belt	1	1
8	1000807	Bearing	2*	2*
9	1001658	Belt	1	1
10	1000243	Support	1	1
11	1000965	Spring	1	1
12	1000470	Adjuster	1	1
13	1000241	Right support	1	1
14	1000242	Left support	1*	1*
16	1000246	Support	1	1
17	1000247	Support	1*	1*
18	1000967	Spring	1	1
20	1000647	Protection	1	1
21	1000244	Right support	1	1
22	1000245	Left support	1*	1*
23	1000579	Pulley	1	1
24	1000928	Reducer DX	1	1
25	1000929	Reducer SX	1*	1*
26	1000629	Protection side-brush right	1	1
27	1001774	Key	1	1
28	1000653	Flange	1	1
29	1000921	Side brush	1	1
30	1000525	Shaft	1*	1*
31	1000604	Pulley	1	1
32	1001367	Thread	1	1
33	1001008	Sheath	1	1
34	1001007	Sheath	1*	1*
35	1001779	Reduction gear R.	1	1
36	1001780	Reduction gear R.	1*	1*
37	1001428	Protection side-brush left	1*	1*



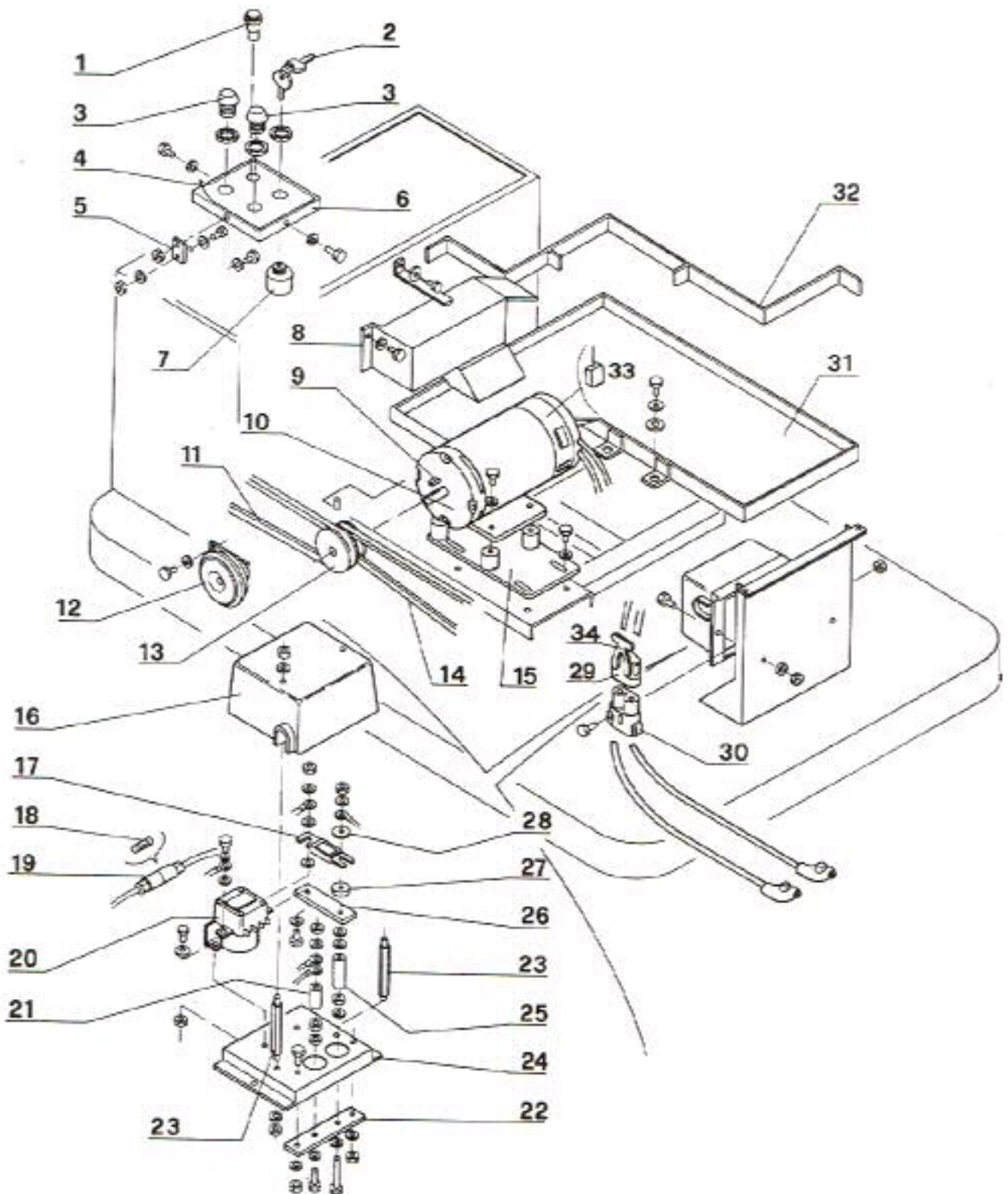
Ref. N°	Part. N°	Description	Briggs & Stratton Qty	Electric Qty
1	1001760	Push button	2	-
2	1001761	Couple of keys	1	-
3	1000971	Handle up to serial n° 3294	1	-
4	1001429	Instruments panel from serial n° 2174	1	-
5	1001430	Adhesive from serial n° 2174	1	-
6	1000766	Plate	1	-
7	1001762	Switch without key	1	-
8	1001146	Electromagnetic switch	1	-
9	1001149	Microswitch	1	-
10	1000090	Support	1	-
11	1000722	Sponge	2	-
12	1000781	Vacuum hose tube	1	-
13	1000187	Batteries case	1	-
14	1001080	Battery	1	-
15	1001087	Battery wiring +	1	-
16	1001088	Battery wiring -	1	-
17	1000696	Rubber ring	1	-
18	1001613	Clamp cover	1	-
19	1000230	Support	1	-
21	1000665	Rubber plug	1	-
22	1001113	Clamp	1	-
24	1000390	Nipples	1	-
25	1001016	Clamp	1	-
26	1000768	Oil drain	1	-
27	1000934	Washer	1	-
28	1000096	Plate	1	-
29	1000937	Silencer	1	-
30	1000092	Plate	1	-
31	1000235	Air conveyor	1	-
32	1000371	Air conveyor	1	-
33	1001097	Horn 12v	1	-
34	1000870	Centrifugal pulley	1	-
35	1000464	Washer	1	-
36	1000832	Belt	1	-
37	1000831	Belt	1	-
38	1000463	Spacer	1	-
39	1001117	Fuse-box	1	-
40	1001092	Fuse	1	-
41	1001409	1150 B&S 5Hp engine Up to serial n° 3294	1	-
42	1001431	Catalytic silencer Up to serial n° 3294	R	-
43	1001408	Sheathing support From serial n° 2174 Up to serial n° 3294	1	-
44	1001411	Sheath locking From serial n° 2174 Up to serial n° 3294	1	-
45	1001407	Start knob From serial n° 2174 Up to serial n° 3294	1	-
46	1001443	Adhesive	1	-
47	1000266	Protection	1	-



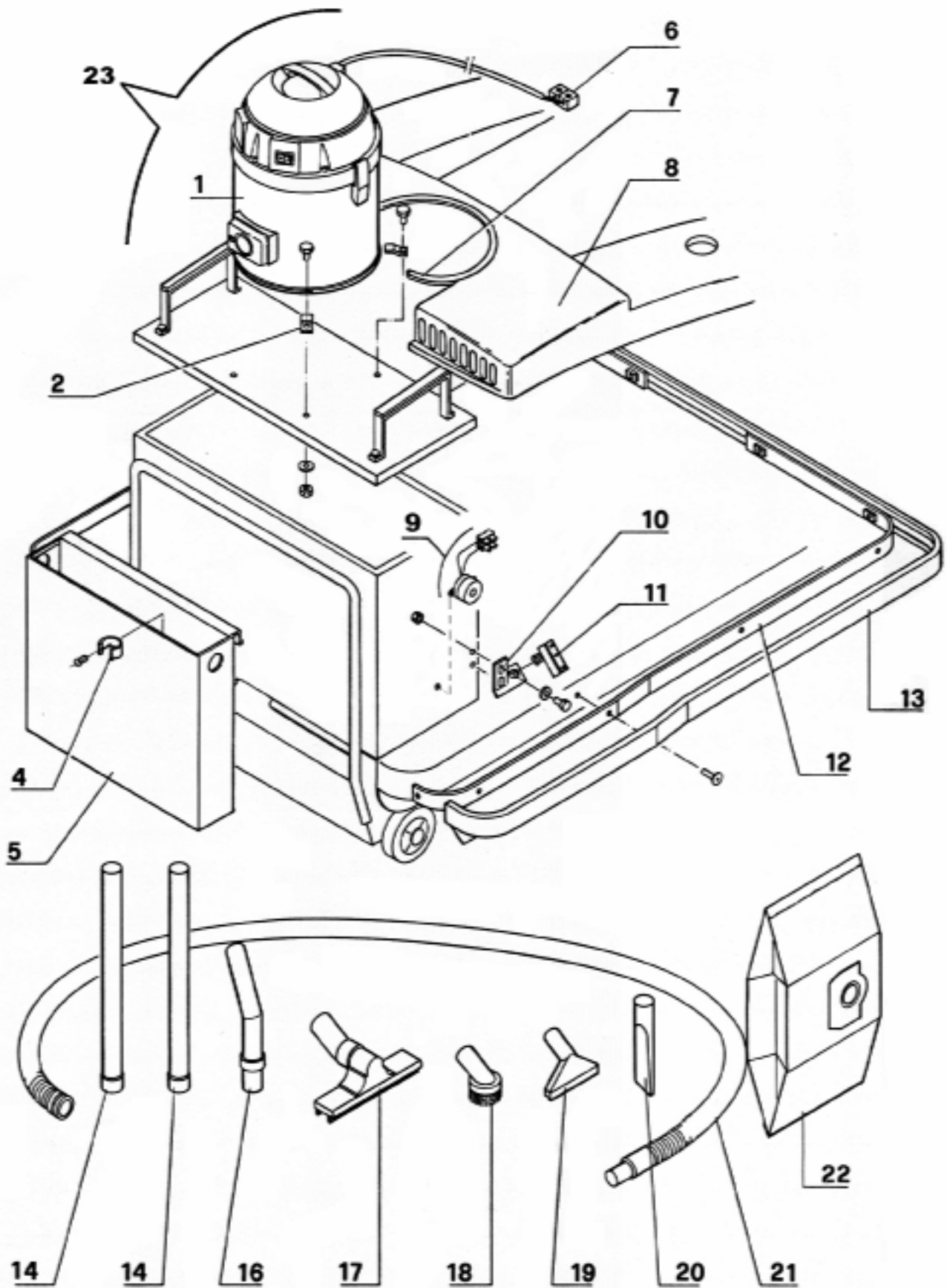
From serial n° 3295

Ref. N°	Part. N°	Description	Briggs & Stratton Qty	Electric Qty
1	1001444	Start knob	1	-
2	1001445	Handle	1	-
3	1001446	Regulator	1	-
5	1001448	Cover	1	-
6	1001449	Thickness	2	-
7	1001450	Filter box	1	-
8	1001453	Washer	1	-
9	1001468	Engine 1150 B&S Intek pro 206 6.5Hp	1	-
10	1001455	Silencer	1	-
11	1001456	Sound absorbing panel	1	-
12	1001457	Air conveyor	1	-
13	1001458	Bar	1	-
14	1000988	Clamp	1	-
15	1001460	Protection	1	-
16	1001459	Upper hood	1	-
17	1001447	Electromagnetic switch	1	-

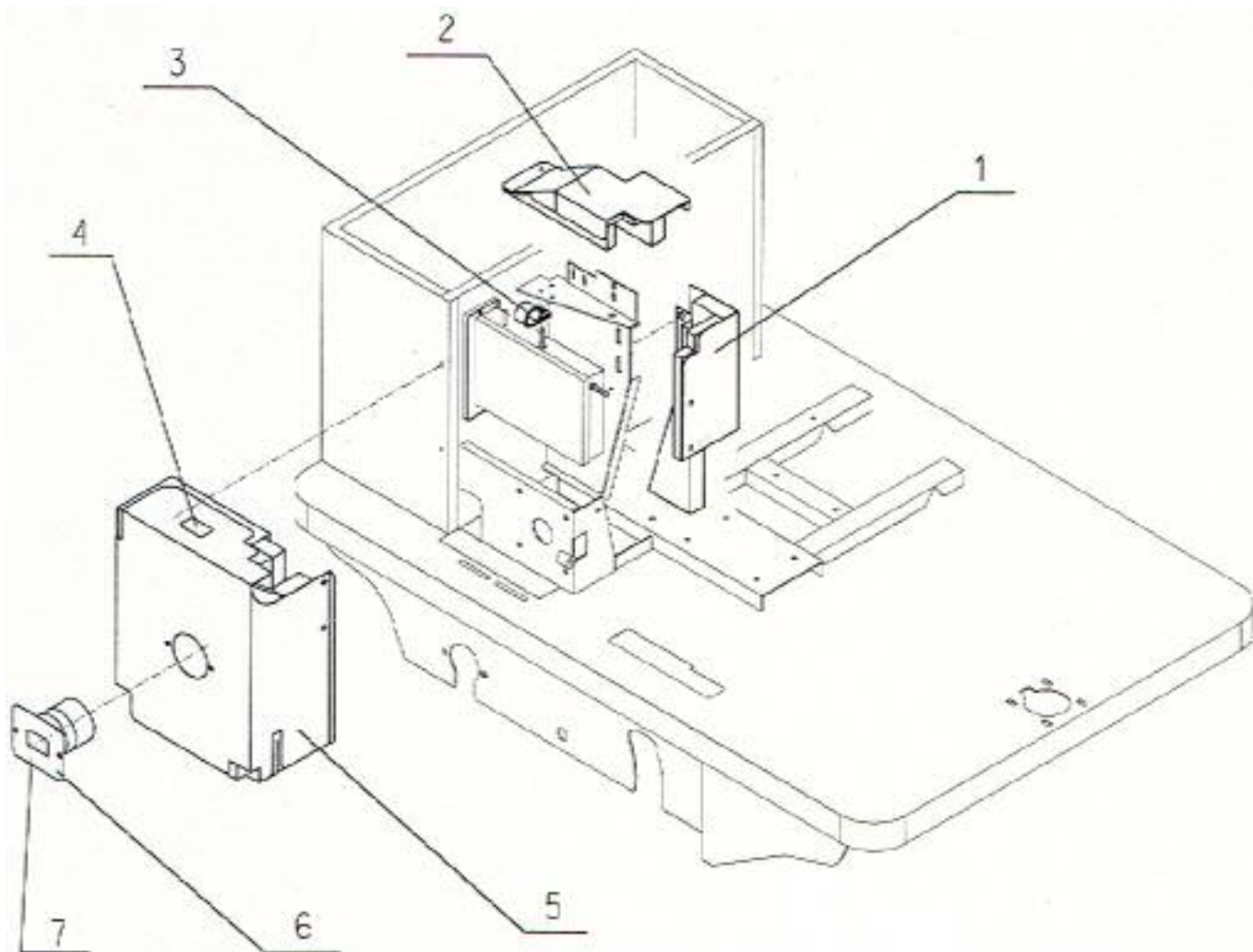




Ref. N°	Part. N°	Description	Briggs & Stratton Qty	Electric Qty
1	1001756	Battery charge indicator	-	1
2	1001761	Couple of keys	-	1
3	1001145	Push button	-	2
4	1000906	Adhesive	-	1
5	1000766	Plate	-	1
6	1000238	Instruments panel	-	1
7	1001762	Switch without key	-	1
8	1000240	Air conveyor	-	1
9	1001220	Key	-	1
10	1001078	Electric engine	-	1
11	1000832	Belt	-	1
12	1001101	Horn	-	1
13	1000603	Pulley	-	1
14	1000832	Belt	-	1
15	1000343	Plate	-	1
16	1000628	Cover	-	1
17	1001112	Fuse 100 A	-	1
18	1001092	Fuse 16 A	-	1
19	1001117	Fuse-box	-	1
20	1001147	Electromagnetic switch	-	1
21	1000072	Spacer	-	1
22	1000757	Bakelite base	-	1
23	1000421	Spacer	-	2
24	1000070	Plate	-	1
25	1000071	Spacer	-	1
26	1000762	Bakelite base	-	1
27	1000432	Spacer	-	1
28	1001189	Washer	-	1
29	1001669	Connector - Anderson 175 Side Broom	-	1
29	640038	Mobile connector (EUROPEAN NORMS)	-	1
30	1001730	Connector - Anderson 175 Side Broom	-	1
30	640037	Steel connector (EUROPEAN NORMS)	-	1
31	1000093	Batteries Case	-	1
32	1000248	Bracket	-	1*
33	1001363	Carbon brush	-	4
34	1001389	Connector Handle	-	1

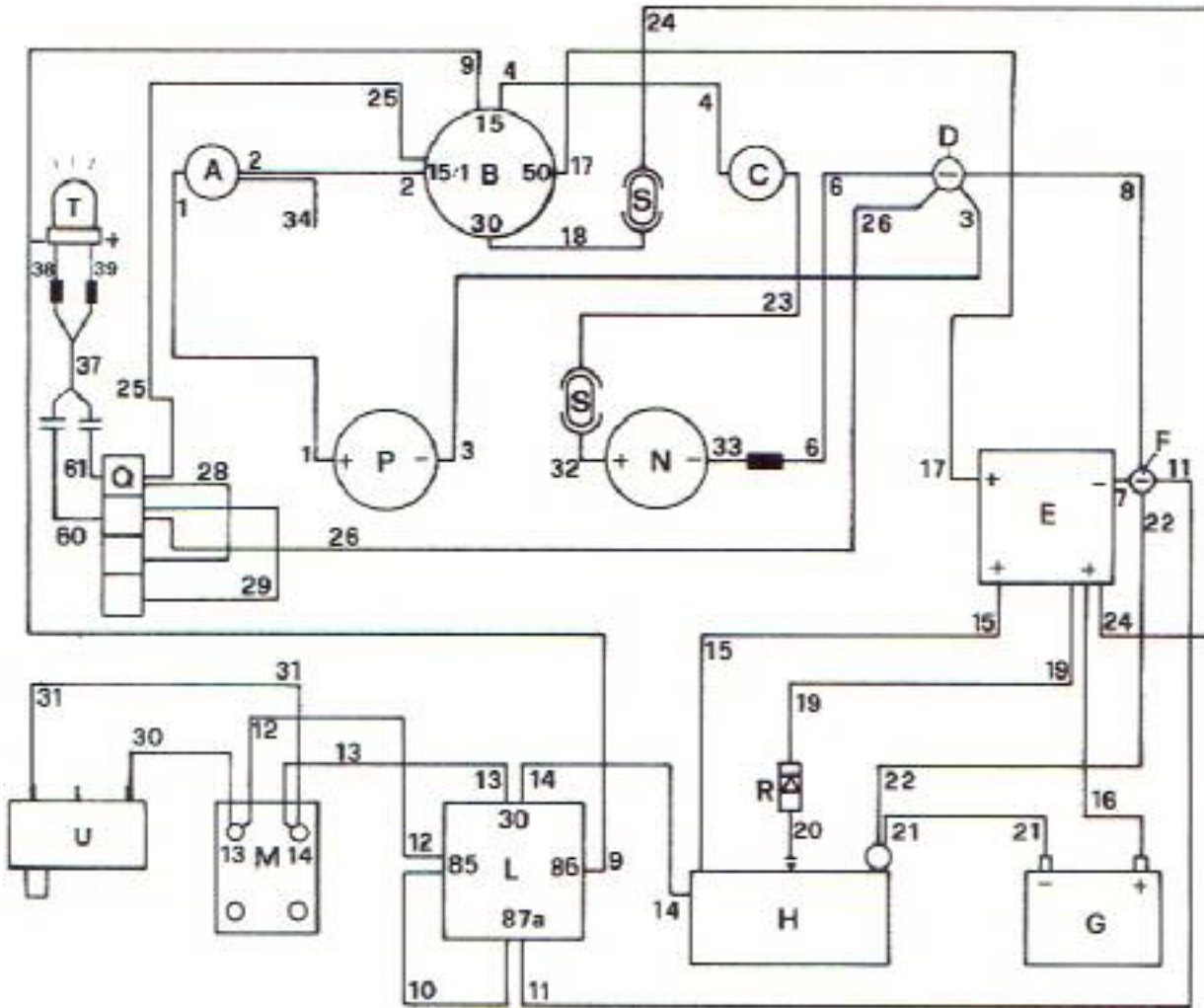


Ref N°	Part N°	Description	Briggs & Stratton Qty	Electric Qty
1	1001079	Vacuum cleaner 24v	-	1*
2	1000088	Support	-	4*
4	1000774	Vacuum hose support	-	1*
5	1000122	Container for accessories	-	1*
6	1001134	Clamps	-	1*
7	1000775	Washer	-	1*
8	1000648	Hood	-	1*
9	1001126	Acoustic signal 12v-24v	1*	1*
10	1000098	Support	1*	1*
11	1001142	Block plate	1*	1*
12	1000271	Bumper	2*	2*
13	1000659	Pvc bumper	1*	1*
14	1001058	Chrome hose	-	2*
16	1001059	Chrome "u" hose	-	1*
17	1001060	Sucker	-	1*
18	1001061	Pvc brush	-	1*
19	1001062	Flat sucker	-	1*
20	1001063	Flat lance	-	1*
21	1001064	Flexible hose	-	1*
22	1000923	Paper filter	-	1*
23	1001368	Vacuum cleaner kit	-	1*



**SOUNDPROOF VERSION (FROM SERIAL N° 2855)**

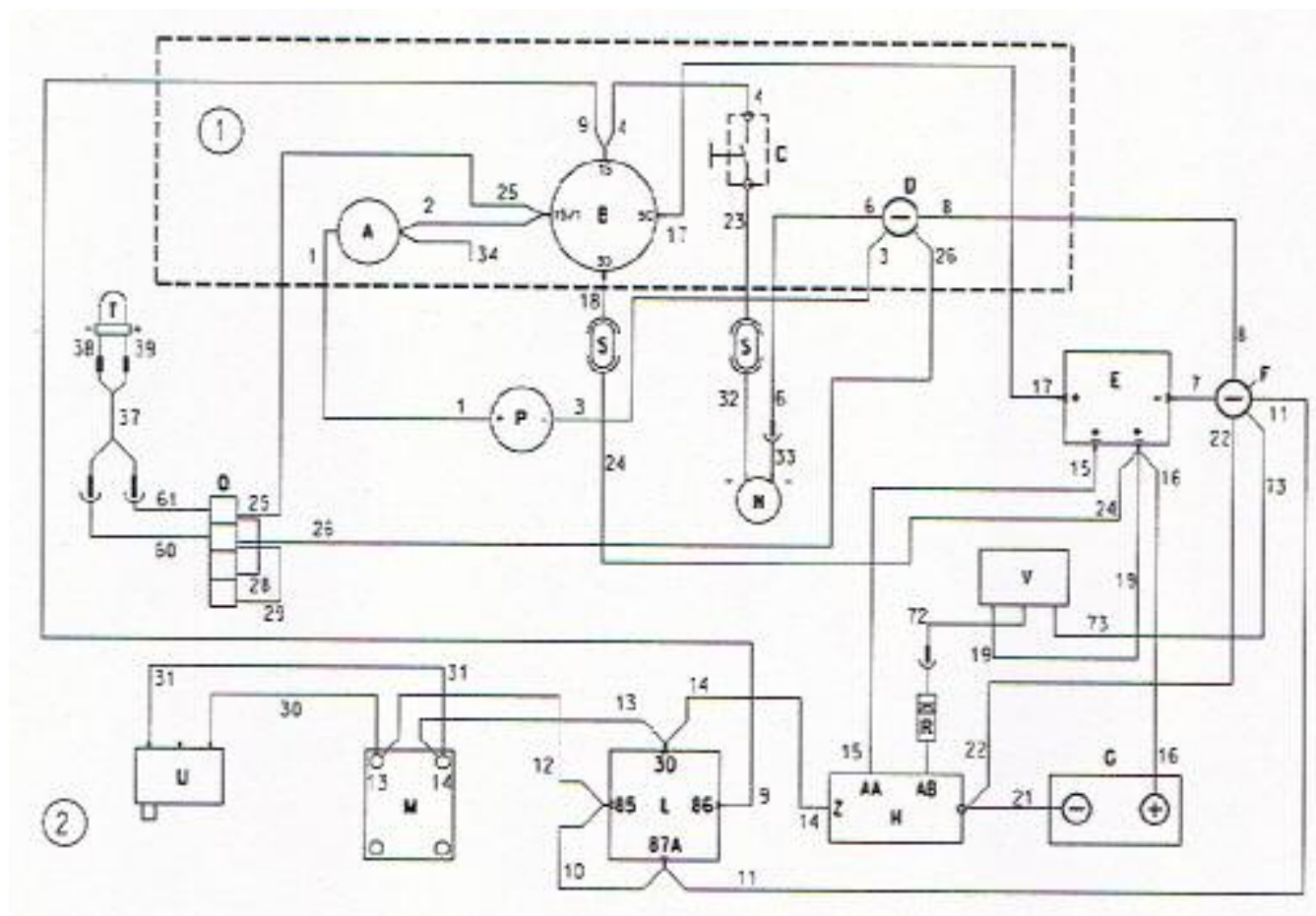
POS.	Part.N°	Description	Briggs & Stratton Qty	Electric Qty
1	1001432	Complete inside panel	-	1
2	1001433	Complete above panel	-	1
3	1001125	Clamp	-	1
4	1001434	Label	-	1
5	1001435	Complete outside panel	-	1
6	1001436	Complete oil level control panel	-	1
7	1001437	Label	-	1



RS50 "BRIGGS & STRATTON"

WIRING DIAGRAM	
A	Horn push button
B	Switch
C	Filter-shaker push button
D	Negative pole
E	Electromagnetic switch
F	Negative pole
G	Battery 12V- 45A
H	Engine Briggs & S.
L	Microswitch
M	Safety switch *
N	Electric filter shaker
P	Horn
Q	Clamp
R	Diode 3A
S	Fuse 16A
T	Intermittent lamp
U	Microswitch

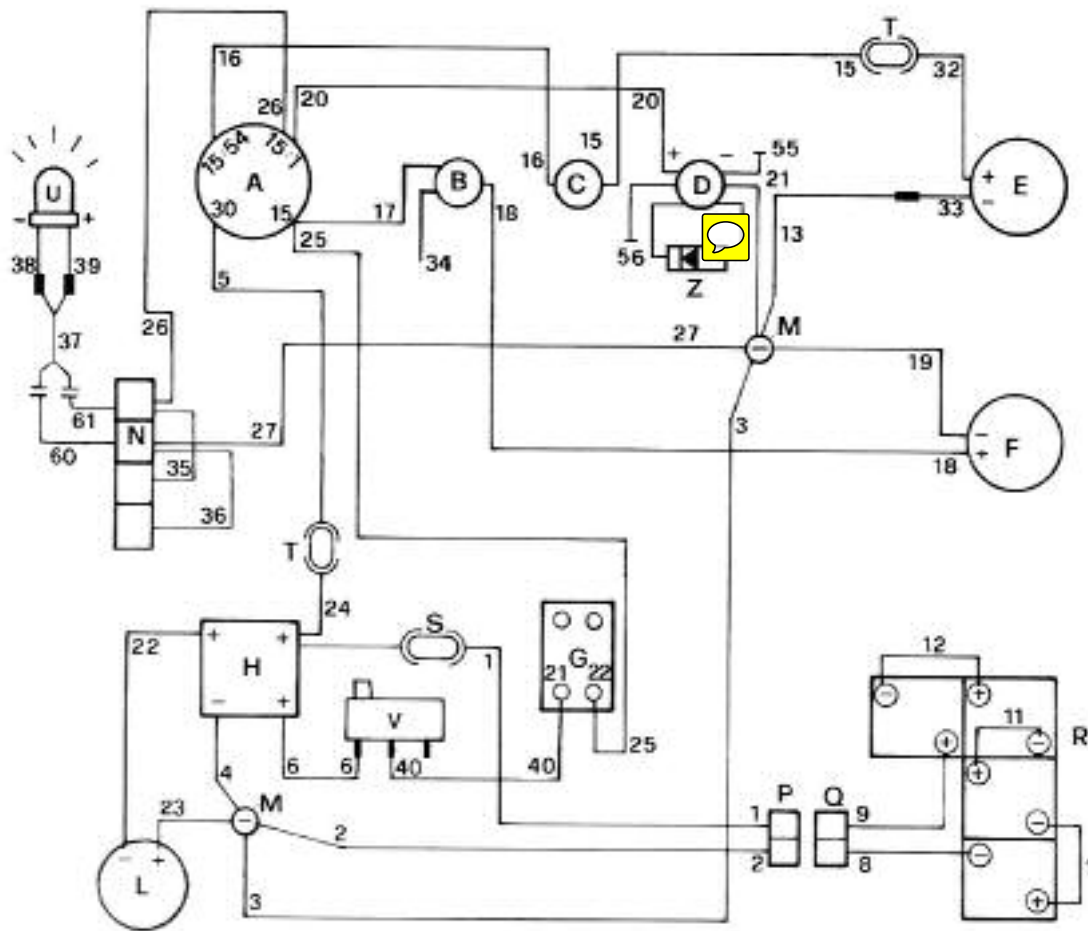
\* OPTIONAL



**RS50 “BRIGGS & STRATTON INTEK PRO 206”**

From serial n° 3295

<b>WIRING DIAGRAM</b>	
<b>1</b>	<b>Controls board</b>
<b>2</b>	<b>Chassis</b>
<b>A</b>	<b>Horn push button</b>
<b>B</b>	<b>Switch</b>
<b>C</b>	<b>Filter-shaker push button</b>
<b>D</b>	<b>Negative pole</b>
<b>E</b>	<b>Electromagnetic switch</b>
<b>F</b>	<b>Negative pole</b>
<b>G</b>	<b>Battery 12V-45A</b>
<b>H</b>	<b>Engine Briggs &amp; S.</b>
<b>L</b>	<b>Microswitch</b>
<b>M</b>	<b>Safety switch</b>
<b>N</b>	<b>Electric filter shaker</b>
<b>P</b>	<b>Horn</b>
<b>Q</b>	<b>Clamp</b>
<b>R</b>	<b>Diode original</b>
<b>S</b>	<b>Fuse 16A</b>
<b>T</b>	<b>Multi voltage flashing light</b>
<b>U</b>	<b>Microswitch</b>
<b>V</b>	<b>Governor</b>
<b>Z</b>	<b>Turning off</b>
<b>AA</b>	<b>Starting motor</b>
<b>AB</b>	<b>Alternator’s outlet</b>



RS 50 E

<b>WIRING DIAGRAM</b>	
<b>A</b>	<b>Switch</b>
<b>B</b>	<b>Horn push button</b>
<b>C</b>	<b>Filter shaker push button</b>
<b>D</b>	<b>Dry charge battery indicator 24V</b>
<b>E</b>	<b>Electric filter shaker</b>
<b>F</b>	<b>Horn</b>
<b>G</b>	<b>Safety switch *</b>
<b>H</b>	<b>Electromagnetic switch 100A</b>
<b>L</b>	<b>Electric engine 24V</b>
<b>M</b>	<b>Negative pole</b>
<b>N</b>	<b>Clamps</b>
<b>P</b>	<b>Steel connector</b>
<b>Q</b>	<b>Mobile connector</b>
<b>R</b>	<b>Battery 24V</b>
<b>S</b>	<b>Fuse 100A</b>
<b>T</b>	<b>Fuse 16A</b>
<b>U</b>	<b>Intermittent lamp</b>
<b>V</b>	<b>Microswitch</b>
<b>Z</b>	<b>Diode 3A</b>

\* OPTIONAL